



TESLA

POWERWALL+

Powerwall+ is an integrated solar battery system that stores energy from solar production. Powerwall+ has two separate inverters, one for battery and one for solar, that are optimized to work together. Its integrated design and streamlined installation allow for simple connection to any home, and improved surge power capability brings whole home backup in a smaller package. Smart system controls enable owners to customize system behavior to suit their renewable energy needs.

KEY FEATURES

- Integrated battery, inverter, and system controller for a more compact install
- A suite of application modes, including self-powered, time-based control, and backup modes
- Wi-Fi, Ethernet, and LTE connectivity with easy over-the-air updates

PHOTOVOLTAIC (PV) AND BATTERY ENERGY STORAGE SYSTEM (BESS) SPECIFICATIONS

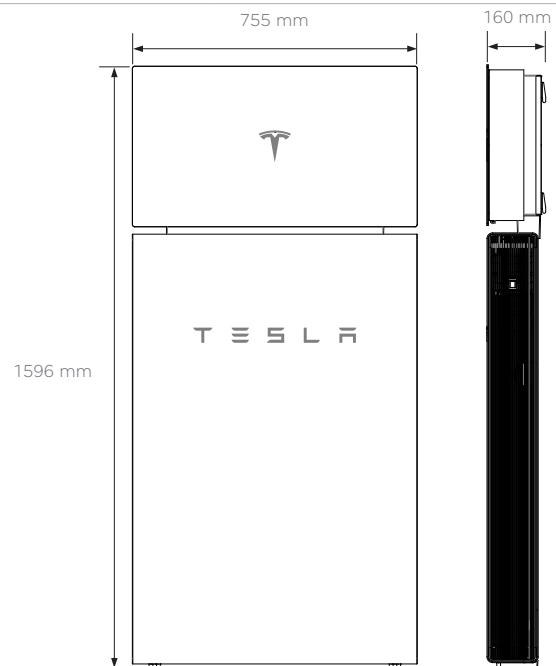
Powerwall+ Model Number	1850000-xx-y
Solar Assembly Model Number	1538000-xx-y
Nominal Battery Energy	13.5 kWh
Nominal Grid Voltage (Input / Output)	120/240 VAC
Grid Voltage Range	211.2 - 264 VAC
Frequency	60 Hz
Phase	240 VAC: 2W+N+GND
Maximum Continuous Power On-Grid	7.6 kVA full sun / 5.8 kVA no sun ¹
Maximum Continuous Power Off-Grid	9.6 kW full sun / 7 kW no sun ¹
Peak Off-Grid Power (10 s)	22 kW full sun / 10 kW no sun ¹
Maximum Continuous Current On-Grid	32 A output
Maximum Continuous Current Off-Grid	40 A output
Load Start Capability	98 - 118 A LRA ²
PV Maximum Input Voltage	600 VDC
PV DC Input Voltage Range	60 - 550 VDC
PV DC MPPT Voltage Range	60 - 480 VDC
MPPTs	4
Input Connectors per MPPT	1-2-1-2
Maximum Current per MPPT (I_{mp})	13 A ³
Maximum Short Circuit Current per MPPT (I_{sc})	17 A ³
Allowable DC/AC Ratio	1.7
Overcurrent Protection Device	50 A breaker
Maximum Supply Fault Current	10 kA
Output Power Factor Rating	+/- 0.9 to 1 ⁴
Round Trip Efficiency	90% ⁵
Solar Generation CEC Efficiency	97.5% at 208 V 98.0% at 240 V
Customer Interface	Tesla Mobile App
Internet Connectivity	Wi-Fi, Ethernet, Cellular LTE/4G ⁶
PV AC Metering	Revenue grade (+/-0.5%)
Protections	Integrated arc fault circuit interrupter (AFCI), PV Rapid Shutdown
Warranty	10 years

COMPLIANCE INFORMATION

PV Certifications	UL 1699B, UL 1741, UL 3741, UL 1741 SA, UL 1998 (US), IEEE 1547, IEEE 1547.1
Battery Energy Storage System Certifications	UL 1642, UL 1741, UL 1741 PCS, UL 1741 SA, UL 1973, UL 9540, IEEE 1547, IEEE 1547.1, UN 38.3
Grid Connection	United States
Emissions	FCC Part 15 Class B
Environmental	RoHS Directive 2011/65/EU
Seismic	AC156, IEEE 693-2005 (high)

MECHANICAL SPECIFICATIONS

Dimensions	1596 x 755 x 160 mm (62.8 x 29.7 x 6.3 in)
Total Weight	140 kg (310 lb) ⁷
Battery Assembly	118 kg (261 lb)
Solar Assembly	22 kg (49 lb)
Mounting options	Floor or wall mount



ENVIRONMENTAL SPECIFICATIONS

Operating Temperature	-20°C to 50°C (-4°F to 122°F) ⁸
Recommended Temperature	0°C to 30°C (32°F to 86°F)
Operating Humidity (RH)	Up to 100%, condensing
Storage Conditions	-20°C to 30°C (-4°F to 86°F) Up to 95% RH, non-condensing State of Energy (SoE): 25% initial
Maximum Elevation	3000 m (9843 ft)
Environment	Indoor and outdoor rated
Enclosure Type	Type 3R
Solar Assembly Ingress Rating	IP55 (Wiring Compartment)
Battery Assembly Ingress Rating	IP56 (Wiring Compartment) IP67 (Battery & Power Electronics)
Noise Level @ 1 m	< 40 db(A) optimal, < 50 db(A) maximum

¹Values provided for 25°C (77°F).

²Load start capability may vary.

³Where the DC input current exceeds an MPPT rating, jumpers can be used to allow a single MPPT to intake additional DC current up to 26 A I_{mp} / 34 A I_{sc} .

⁴Power factor rating at max real power.

⁵AC to battery to AC, at beginning of life.

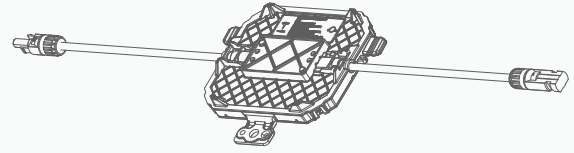
⁶Cellular connectivity subject to network service coverage and signal strength.

⁷The total weight does not include the Powerwall+ bracket, which weighs an additional 9 kg (20 lb).

⁸Performance may be de-rated at operating temperatures below 10°C (50°F) or greater than 43°C (109°F).

SOLAR SHUTDOWN DEVICE

The Tesla Solar Shutdown Device is a Mid-Circuit Interrupter (MCI) and is part of the PV system rapid shutdown (RSD) function in accordance with Article 690 of the applicable NEC. When paired with Powerwall+, solar array shutdown is initiated by pushing the System Shutdown Switch if one is present.



ELECTRICAL SPECIFICATIONS

Model Number	MCI-1
Nominal Input DC Current Rating (I_{MP})	12 A
Maximum Input Short Circuit Current (I_{SC})	15 A
Maximum System Voltage	600 V DC

RSD MODULE PERFORMANCE

Maximum Number of Devices per String	5
Control	Power Line Excitation
Passive State	Normally open
Maximum Power Consumption	7 W
Warranty	25 years

COMPLIANCE INFORMATION

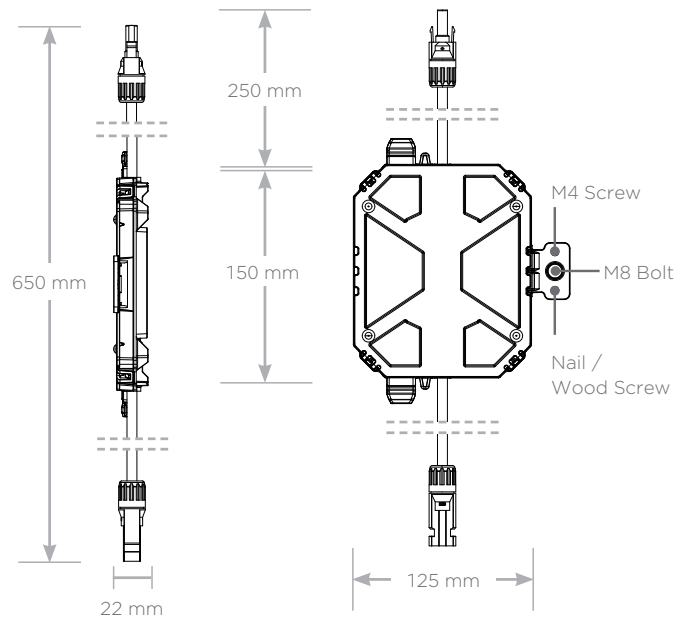
Certifications	UL 1741 PVRSE, UL 3741, PVRSA (Photovoltaic Rapid Shutdown Array)
RSD Initiation Method	External System Shutdown Switch
Compatible Equipment	See <i>Compatibility Table</i> below

ENVIRONMENTAL SPECIFICATIONS

Ambient Temperature	-40°C to 50°C (-40°F to 122°F)
Storage Temperature	-30°C to 60°C (-22°F to 140°F)
Enclosure Rating	NEMA 4 / IP65

MECHANICAL SPECIFICATIONS

Electrical Connections	MC4 Connector
Housing	Plastic
Dimensions	125 mm x 150 mm x 22 mm (5 in x 6 in x 1 in)
Weight	350 g (0.77 lb)
Mounting Options	ZEP Home Run Clip M4 Screw (#10) M8 Bolt (5/16") Nail / Wood screw



UL 3741 PV HAZARD CONTROL (AND PVRSA) COMPATIBILITY

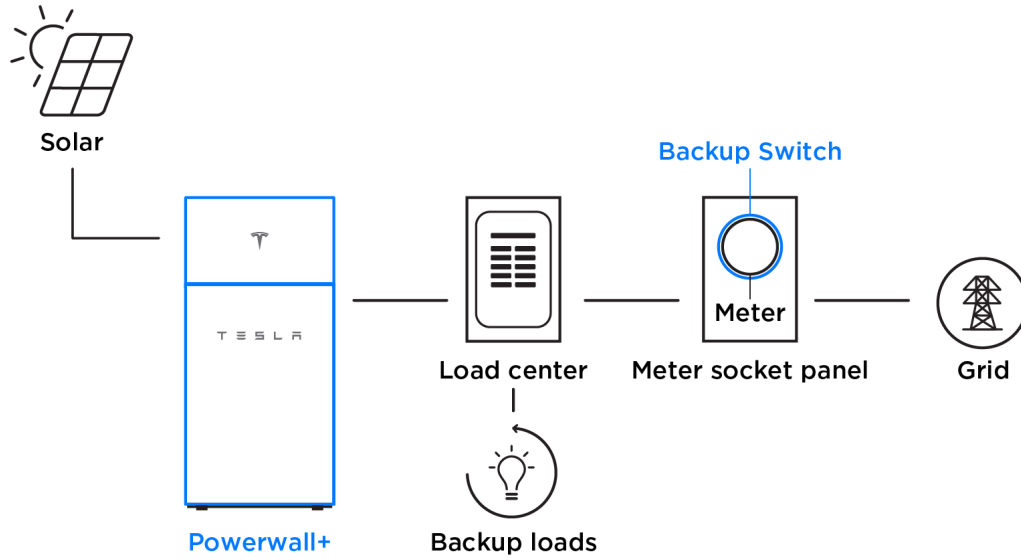
Tesla Solar Roof and Tesla/Zep ZS Arrays using the following modules are certified to UL 3741 and UL 1741 PVRSA when installed with the Powerwall+ and Solar Shutdown Devices. See the Powerwall+ Installation Manual for detailed instructions and for guidance on installing Powerwall+ and Solar Shutdown Devices with other modules.

Brand	Model	Required Solar Shutdown Devices
Tesla	Solar Roof V3	1 Solar Shutdown Device per 10 modules
Tesla	Tesla TxxxS (where xxx = 405 to 450 W, increments of 5)	1 Solar Shutdown Device per 3 modules ¹
Tesla	Tesla TxxxH (where xxx = 395 to 415 W, increments of 5)	1 Solar Shutdown Device per 3 modules
Hanwha	Q.PEAK DUO BLK-G5	1 Solar Shutdown Device per 3 modules
Hanwha	Q.PEAK DUO BLK-G6+	1 Solar Shutdown Device per 3 modules

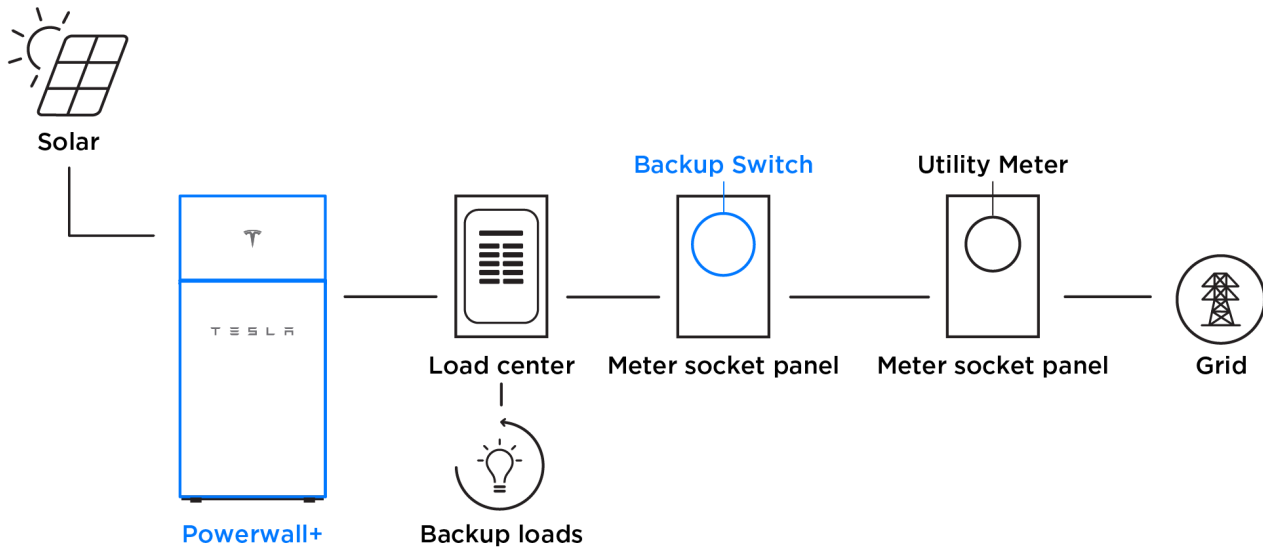
¹**Exception:** Tesla solar modules installed in locations where the max Voc for three modules at low design temperatures exceeds 165 V shall be limited to two modules between Solar Shutdown Devices.

SYSTEM LAYOUTS

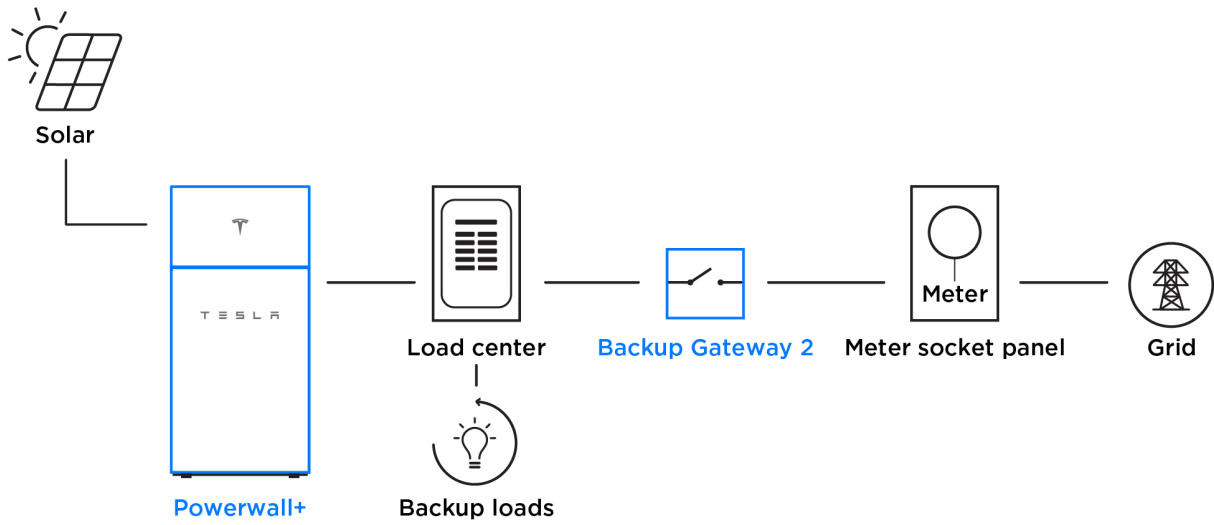
Powerwall+ with Backup Switch Installed Behind Utility Meter



Powerwall+ with Backup Switch Installed Downstream of Utility Meter



Powerwall+ with Backup Gateway 2 for Whole Home Backup



Powerwall+ with Backup Gateway 2 for Partial Home Backup

