




**M-SERIES SUBMITTAL DATA: MSZ-WR12NA & MUZ-WR12NA**  
**12,000 BTU/H WALL-MOUNTED HEAT PUMP SYSTEM**



Job Name:		
System Reference:		Date:
Indoor Unit: MSZ-WR12NA	Outdoor Unit: MUZ-WR12NA	Wireless Remote Controller
		

**GENERAL FEATURES**

- Single-zone heat pump systems
- Blue Fin anti-corrosion treatment applied to the outdoor unit heat exchanger for increased coil protection and longer life
- Four fan speeds: Low, Medium, High, Super-high
- Anti-mold filter
- INVERTER-driven heat pump
- Cooling operation range: 32° F to 115° F
- Heating operation range: 5° F to 75° F
- Multiple control options available:
  - Hand-held Remote Controller (provided with unit)
  - kumo cloud® smart device app for remote access
  - Third-party interface options
  - Wired or wireless controllers
- 12-hour timer
- ECONO COOL mode
- AUTO restart
- The outdoor unit powers the indoor unit and should a power outage occur, the system is automatically restarted when the power returns.

Cooling at 95°F <sup>1</sup>	Maximum Capacity	Btu/h	12,200
	Rated Capacity	Btu/h	12,000
	Minimum Capacity	Btu/h	3,800
	Maximum Power Input	W	1,400
	Rated Power Input	W	1,330
	Moisture Removal	Pints/h	2.5
	Sensible Heat Factor		0.77
	Power Factor (208/230V)	%	95/95
Cooling at 82°F	Maximum Capacity	Btu/h	13,474
	Rated Capacity	Btu/h	13,248
	Minimum Capacity	Btu/h	4,196
	Maximum Power Input	W	1,264
	Rated Power Input	W	1,200
	Power Factor	%	93/93
Heating at 47°F <sup>2</sup>	Maximum Capacity	Btu/h	14,500
	Rated Capacity	Btu/h	12,200
	Minimum Capacity	Btu/h	4,500
	Maximum Power Input	W	1,340
	Rated Power Input	W	1,090
	Power Factor	%	93/93
Heating at 17°F <sup>3</sup>	Maximum Capacity	Btu/h	9,000
	Rated Capacity	Btu/h	7,600
	Maximum Power Input	W	1,090
	Rated Power Input	W	880
Heating at 5°F <sup>4</sup>	Maximum Capacity	Btu/h	7,440
	Maximum Power Input	W	920
Efficiency	SEER		16.0
	EER <sup>1</sup>		9.0
	HSPF (IV)		8.5
	COP at 47°F <sup>2</sup>		3.28
	COP at 17°F in Maximum Capacity <sup>3</sup>		2.42

	COP at 5°F in Maximum Capacity <sup>4</sup>		2.37
Electrical	Voltage, Phase, Frequency		208/230V, 1 phase, 60Hz
	Guaranteed Voltage Range	V AC	187-253
	Voltage: Indoor - Outdoor, S1-S2	V AC	208/230
	Voltage: Indoor - Outdoor, S2-S3	V DC	24
	Voltage: Indoor - Remote Controller		Wireless type
	Recommended Fuse/Breaker Size	A	15
	Recommended Wire Size (Indoor - Outdoor)	AWG	14
Indoor Unit	MCA	A	1
	Blower Motor Full Load Amperage	A	0.76
	Blower Motor Output	W	30
	Airflow Rate at Cooling, Dry	CFM	399-321-237-170
	Airflow Rate at Cooling, Wet	CFM	364-286-201-134
	Airflow Rate at Heating, Dry	CFM	406-321-237-170
	Sound Pressure Level (Cooling)	dB(A)	45-37-30-22
	Sound Pressure Level (Heating)	dB(A)	43-37-30-22
	Drain Pipe Size	In. (mm)	5/8 (15.88)
	Heat Exchanger Type		Plate fin coil
	External Finish Color		Munsell 1.0Y 9.2/0.2
	Unit Dimensions	W: In. (mm)	31-7/16 (798)
		D: In. (mm)	9-1/8 (232)
		H: In. (mm)	11-5/8 (295)
	Package Dimensions	W: In. (mm)	33-1/2 (850)
		D: In. (mm)	12 (300)
		H: In. (mm)	14 (350)
Unit Weight	Lbs. (kg)	22 (10)	
Package Weight	Lbs. (kg)	26 (11.5)	
Indoor Unit Operating Temperature Range	Cooling Intake Air Temp (Maximum / Minimum)*	°F	90F D.B / 73F W.B // 67F D.B / 57F W.B
	Heating Intake Air Temp (Maximum / Minimum)	°F	80F D.B // 70F D.B
Outdoor Unit	MCA	A	9
	MOCP	A	15
	Fan Motor Full Load Amperage	A	0.5
	Fan Motor Output	W	55
	Airflow Rate	CFM	1,151 / 1,225
	Refrigerant Control		LEV
	Defrost Method		Reverse cycle
	Heat Exchanger Type		Plate fin coil
	Blue Fin Coating on Heat Exchanger		Yes
	Sound Pressure Level, Cooling <sup>1</sup>	dB(A)	51
	Sound Pressure Level, Heating <sup>2</sup>	dB(A)	51
	Compressor Type		DC INVERTER-driven
	Compressor Model		KNB073FRVMC
	Compressor Rated Load Amps	A	6.2
	Compressor Locked Rotor Amps	A	7.7
	Compressor Oil Type // Charge	oz.	FV50S // 9.1
	External Finish Color		Ivory Munsell 3Y 7.8/1.1
	Base Pan Heater		Optional
	Unit Dimensions	W: In. (mm)	31-1/2 (800)
		D: In. (mm)	11-1/4 (285)
		H: In. (mm)	21-5/8 (550)
Package Dimensions	W: In. (mm)	37 (940)	
	D: In. (mm)	14-15/16 (380)	
	H: In. (mm)	24-13/16 (630)	
	Unit Weight	Lbs. (kg)	73 (33)
	Package Weight	Lbs. (kg)	79 (36)
Outdoor Unit Operating Temperature Range	Cooling Air Temp (Maximum / Minimum)*	°F	115 / 32
	Cooling Thermal Lock-out / Re-start Temperatures**	°F	-1 / 3
	Heating Air Temp (Maximum / Minimum)	°F	75 / 5
	Heating Thermal Lock-out / Re-start Temperatures**	°F	-9 / -4

Refrigerant	Type		R410A
	Charge	Lbs, oz	1, 12
Piping	Gas Pipe Size O.D. (Flared)	In.(mm)	3/8 (9.52)
	Liquid Pipe Size O.D. (Flared)	In.(mm)	1/4 (6.35)
	Maximum Piping Length	Ft. (m)	65 (20)
	Maximum Height Difference	Ft. (m)	40 (12)
	Maximum Number of Bends		10

Notes

AHRI Rated Conditions (Rated data is determined at a fixed compressor speed)	*Cooling (Indoor // Outdoor)	°F	80 DB, 67 WB // 95 DB, 75 WB
	*Heating at 47°F (Indoor // Outdoor)	°F	70 DB, 60 WB // 47 DB, 43 WB
	*Heating at 17°F (Indoor // Outdoor)	°F	70 DB, 60 WB // 17 DB, 15 WB
Conditions	*Heating at 5°F (Indoor // Outdoor)	°F	70 DB, 60 WB // 5 DB, 4 WB

\*Applications should be restricted to comfort cooling only; equipment cooling applications are not recommended for low ambient temperature conditions.

\*\*System cuts out in heating mode to avoid thermistor error and automatically restarts at these temperatures.

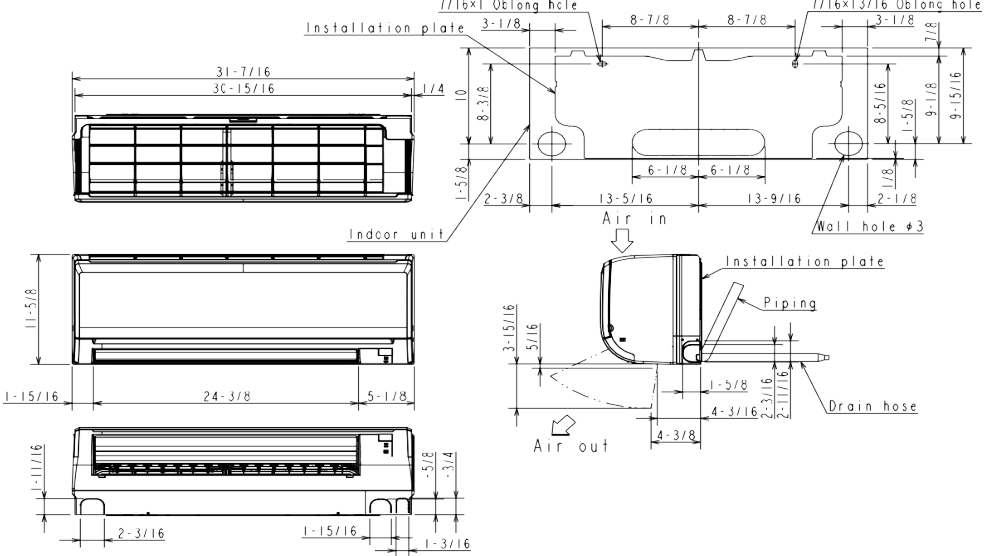
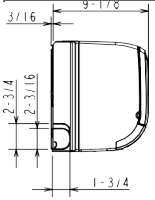
Anti-allergy Enzyme Filter	<input type="checkbox"/> MAC-408FT-E
Backlit, Wall-mounted, Wireless Controller	<input type="checkbox"/> MHK1
Portable Central Controller	<input type="checkbox"/> MCCH1
Wired MA Controller <sup>1</sup>	<input type="checkbox"/> PAR-33MAA
Simple MA Controller <sup>1</sup>	<input type="checkbox"/> PAC-YT53CRAU
Touch MA Controller <sup>1</sup>	<input type="checkbox"/> PAR-CT01MAU-SB
Wired Remote Sensor	<input type="checkbox"/> M21-EAA-307
Wireless Temperature and Humidity Sensor	<input type="checkbox"/> PAC-USWHS003-TH-1
Outside Air Sensor for MHK1	<input type="checkbox"/> MOS1
System Control Interface <sup>2</sup>	<input type="checkbox"/> MAC-333IF-E
Wireless Interface	<input type="checkbox"/> PAC-USWHS002-WF-1
Thermostat Interface	<input type="checkbox"/> PAC-US444CN-1
kumo station®	<input type="checkbox"/> PAC-WHS01HC-E
USNAP Interface	<input type="checkbox"/> PAC-WHS01UP-E
IT Extender	<input type="checkbox"/> PAC-WHS01IE-E
BACnet® and MODBUS® Interface	<input type="checkbox"/> PAC-UKPRC001-CN-1
Lockdown Bracket for Hand-held Remote Controllers	<input type="checkbox"/> RCMKP1CB
Blue Diamond Sensor Extension Cable — 15 Ft.	<input type="checkbox"/> C13-103
Blue Diamond Alarm Extension Cable — 6.5 Ft.	<input type="checkbox"/> C13-192
Blue Diamond MultiTank — collection tank for use with multiple pumps	<input type="checkbox"/> C21-014
Blue Diamond Rubber Foot Pads	<input type="checkbox"/> F10-010
Mini Condensate Pump — 230 volt application	<input type="checkbox"/> SI30-230
MegaBlue Advanced Blue Diamond Condensate Pump w/ Reservoir & Sensor	<input type="checkbox"/> X87-835 - 110 to 250V
MaxiBlue Advanced Blue Diamond Mini Condensate Pump w/ Reservoir & Sensor (110V) up to 48,000 Btu/h [recommended]	<input type="checkbox"/> X87-711 - 110V
Advanced Blue Diamond Mini Condensate Pump w/ Reservoir & Sensor (208/230V) [recommended]	<input type="checkbox"/> X87-721 - 208/230V
MicroBlue Blue Diamond Mini Condensate Pump (110/208/230V) up to 18,000 Btu/h	<input type="checkbox"/> X85-003
Fascia Kit for MicroBlue Pump – mounts the MicroBlue and sensor directly beneath the indoor unit	<input type="checkbox"/> T18-016
Drain Pan Level Sensor	<input type="checkbox"/> DPLS2
(30A/600V/UL) [fits 2" X 4" utility box] - Black	<input type="checkbox"/> TAZ-MS303
(30A/600V/UL) [fits 2" X 4" utility box] - White	<input type="checkbox"/> TAZ-MS303W

<sup>1</sup>Requires MAC-333IF-E

<sup>2</sup>Allows indoor units to connect to an MA Controller

Air Outlet Guide	<input type="checkbox"/> MAC-881SG
Drain Socket	<input type="checkbox"/> MAC-860DS
Optional Defrost Heater	<input type="checkbox"/> MAC-640BH-U
Hail Guard	<input type="checkbox"/> HG-B4
Outdoor Unit 3-1/4 inch Mounting Base (Pair) - Plastic	<input type="checkbox"/> DSD-400P
Condensing Unit Mounting Pad 16" x 36" x 3"	<input type="checkbox"/> ULTRILITE1
Outdoor Unit Stand — 12" High	<input type="checkbox"/> QSMS1201M
Outdoor Unit Stand — 18" High	<input type="checkbox"/> QSMS1801M
Outdoor Unit Stand — 24" High	<input type="checkbox"/> QSMS2401M
Heavy Duty Wall Mounting Bracket— Coated Steel	<input type="checkbox"/> QSWB2000M-1
Heavy Duty Wall Mounting Bracket — 316 Series Stainless Steel	<input type="checkbox"/> QSWBSS
15' x 1/4" x 15' / 3/8" Lineset (Twin-Tube Insulation)	<input type="checkbox"/> MLS143812T-15
30' x 1/4" x 30' / 3/8" Lineset (Twin-Tube Insulation)	<input type="checkbox"/> MLS143812T-30

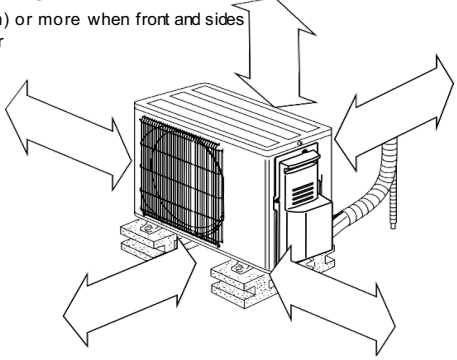
50' x 1/4" x 50' / 3/8" Lineset (Twin-Tube Insulation)	□ MLS143812T-50
65' x 1/4" x 65' / 3/8" Lineset (Twin-Tube Insulation)	□ MLS143812T-65



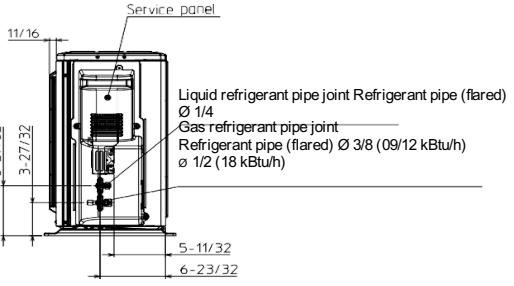
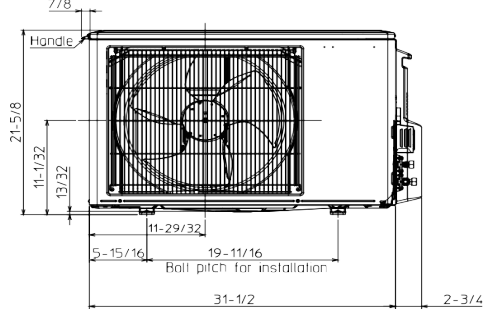
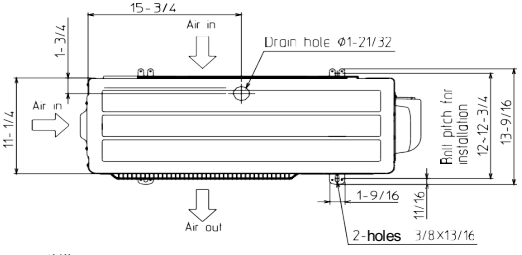
Insulation	ø1-3/8 O.D
Liquid line	ø1/4 19 - 11/16 (Flared connection ø1/4)
Gas line	ø3/8 16 - 15/16 / Flared connection: ø3/8
Drain hose	Insulation ø1-1/8 O.D Connected part ø5/8 O.D

**REQUIRED SPACE**

\*1 4 in. (100 mm) or more when front and sides of the unit are clear



\*2 When any 2 sides of left, right and





1340 Satellite Boulevard, Suwanee, GA 30024 Toll Free:  
800-433-4822 [www.mehvac.com](http://www.mehvac.com)



FORM# MSZ-WR12NA / MUZ-WR12NA - 201903

Intertek

